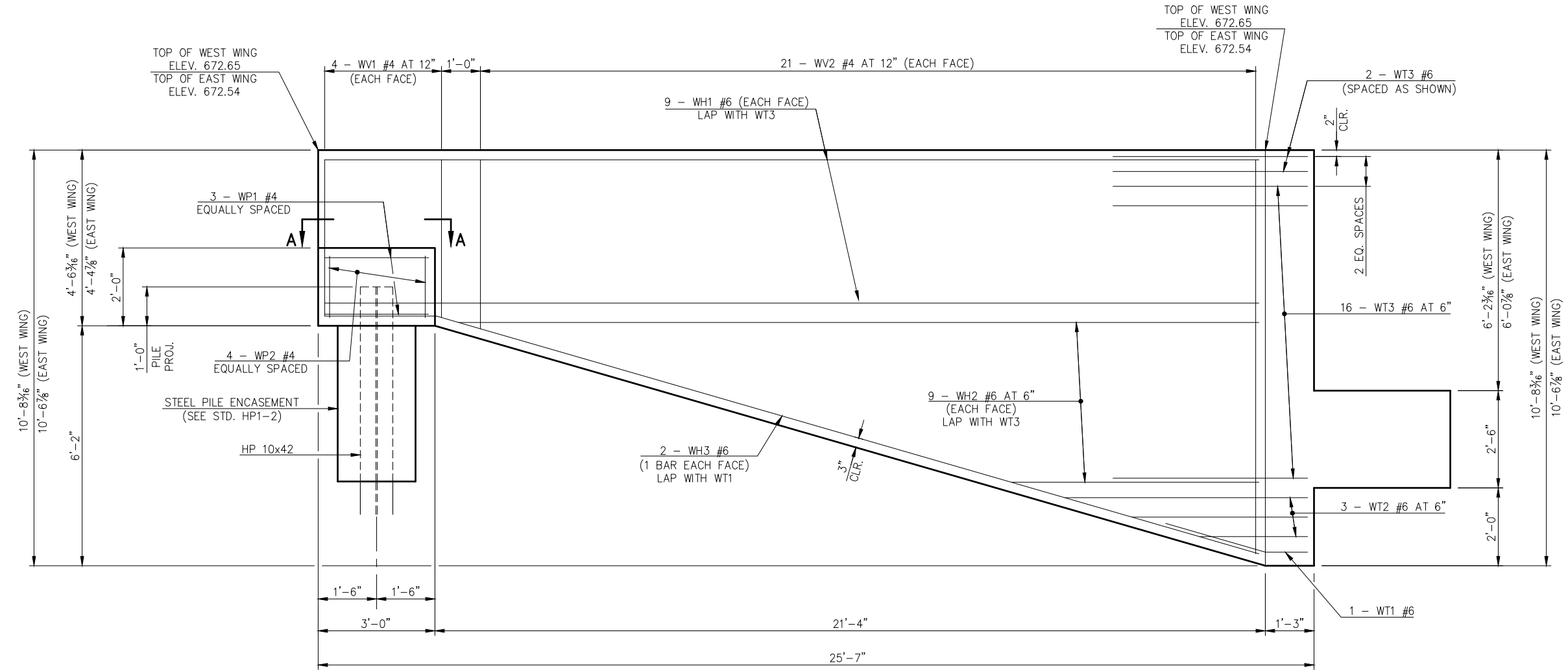


REVISIONS		
REV. NO.	DESCRIPTION	DATE



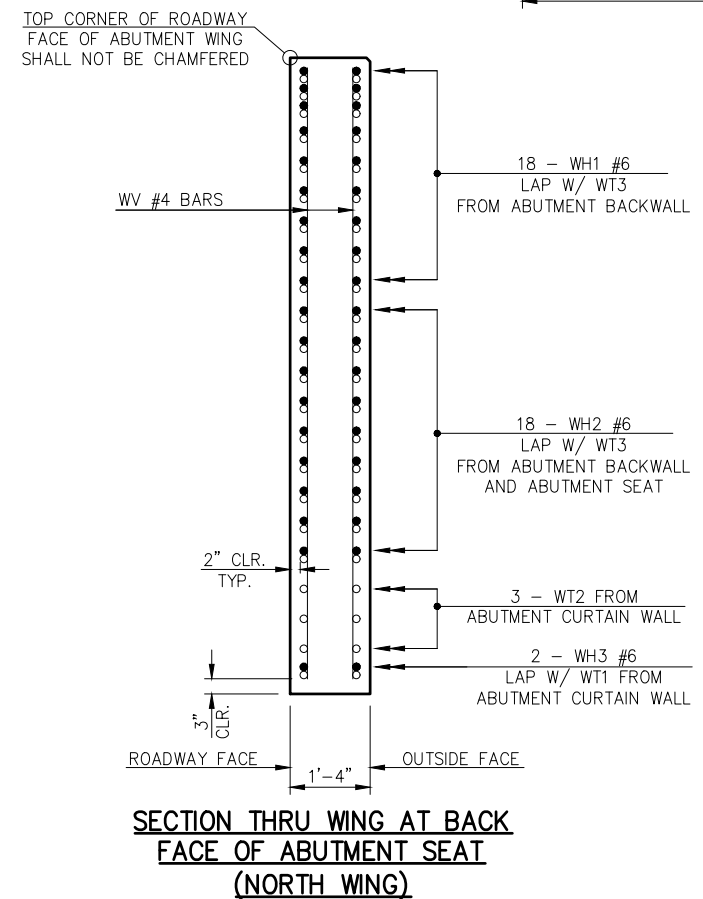
**WING ELEVATION**

BAR LIST - WEST WING					
MARK	SIZE	NO.	FORM	LENGTH	VARIANCE
EPOXY COATED REINFORCING					
WH1	#6	18	STR	24'-0"	
WH2	#6	18	STR	13'-7" AVG.	6'-8" TO 20'-6"
WH3	#6	2	BNT	24'-10"	
WP1	#4	3	BNT	8'-8"	
WP2	#4	4	STR	1'-7"	
WV1	#4	8	STR	4'-1"	
WV2	#4	42	STR	7'-3 1/2" AVG.	4'-5" TO 10'-2"

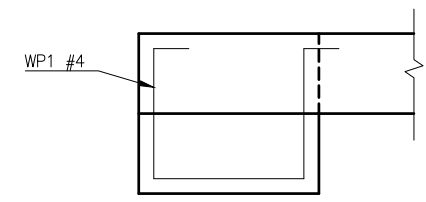
- ① 2 SETS OF 9 BARS
- ② 2 SETS OF 21 BARS

BAR LIST - EAST WING					
MARK	SIZE	NO.	FORM	LENGTH	VARIANCE
EPOXY COATED REINFORCING					
WH1	#6	18	STR	24'-0"	
WH2	#6	18	STR	13'-7" AVG.	6'-8" TO 20'-6"
WH3	#6	2	BNT	24'-10"	
WP1	#4	3	BNT	8'-8"	
WP2	#4	4	STR	1'-7"	
WV1	#4	8	STR	3'-11"	
WV2	#4	42	STR	7'-2" AVG.	4'-3" TO 10'-1"

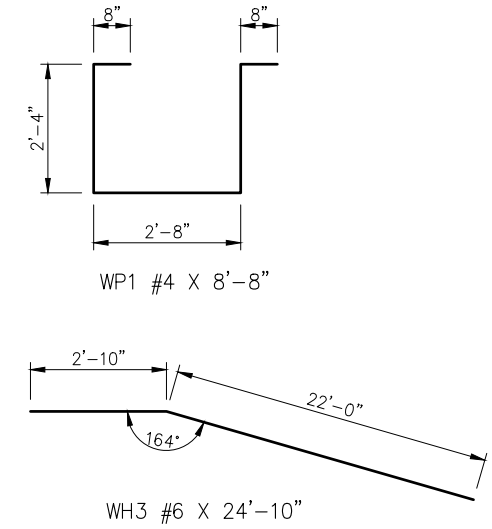
- ① 2 SETS OF 9 BARS
- ② 2 SETS OF 21 BARS



**SECTION THRU WING AT BACK FACE OF ABUTMENT SEAT (NORTH WING)**



**SECTION A-A**  
(ALL OTHER REINFORCING NOT SHOWN FOR CLARITY)



DESIGN	MBS	5/14	SH-28 OVER SALT CREEK	NOWATA COUNTY
DETAIL	SLP	5/14	BRIDGE "A"	
CHECK	MBS	3/15		
GUY ENGINEERING SERVICES, INC.			STATE JOB PIECE NO. 28857(04)	SHEET NO. B011

**DETAILS OF ABUTMENT NO. 1 (SHEET NO. 4 OF 4)**

Monday, July 31, 2017 4:14:54 PM V:\12-716E SH-28 Salt Creek JP 28857\STRUCTURAL\DWG\Salt Creek - ABUTMENTS.dwg